

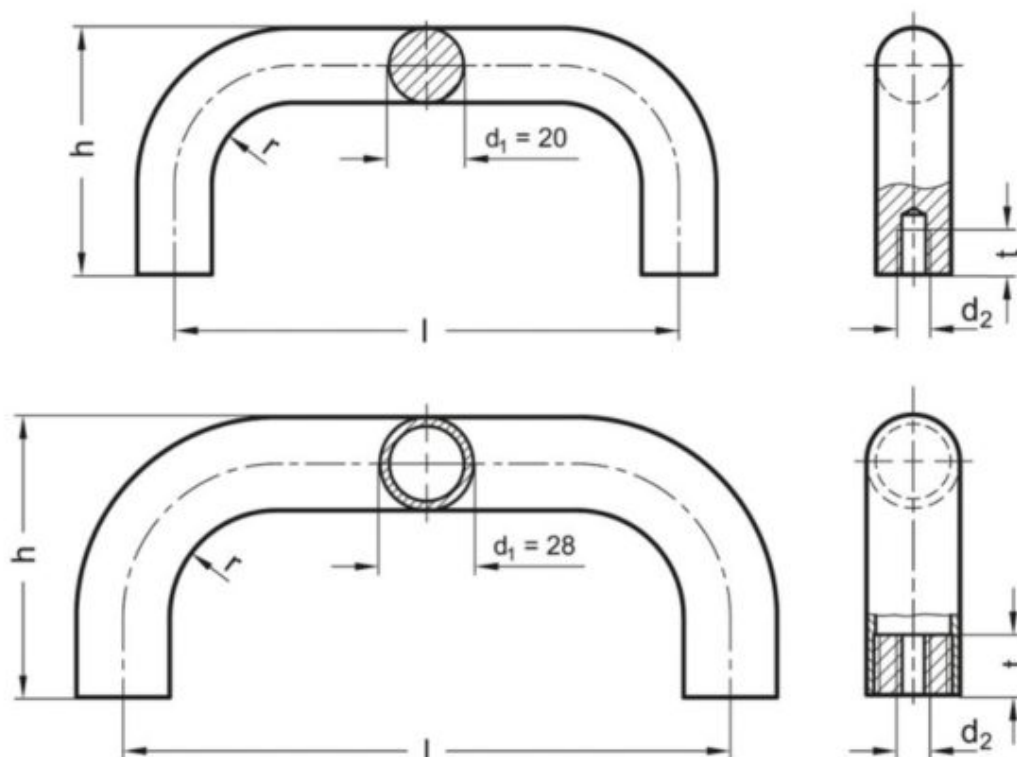
# Data Sheet



Article number: 20165366

Description: E+G Cabinet U-handle GN 426-AL-28-350-BL

## Measures



$d_1$	= 28
$d_2$	= M10
$h$	= 78
$l$	= 350
$r$	= 32
$t_{min}$	= 15